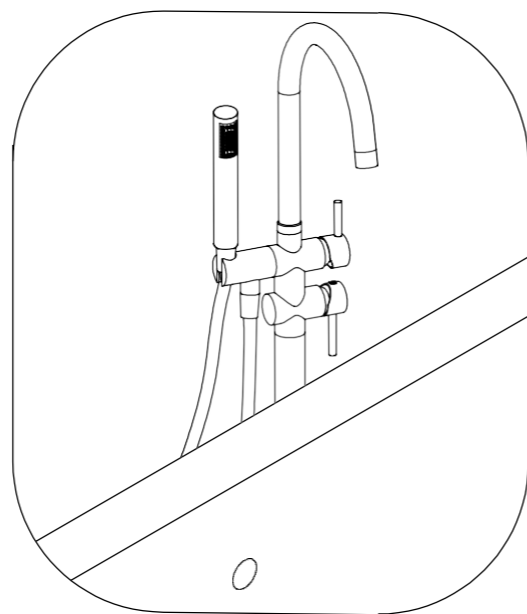
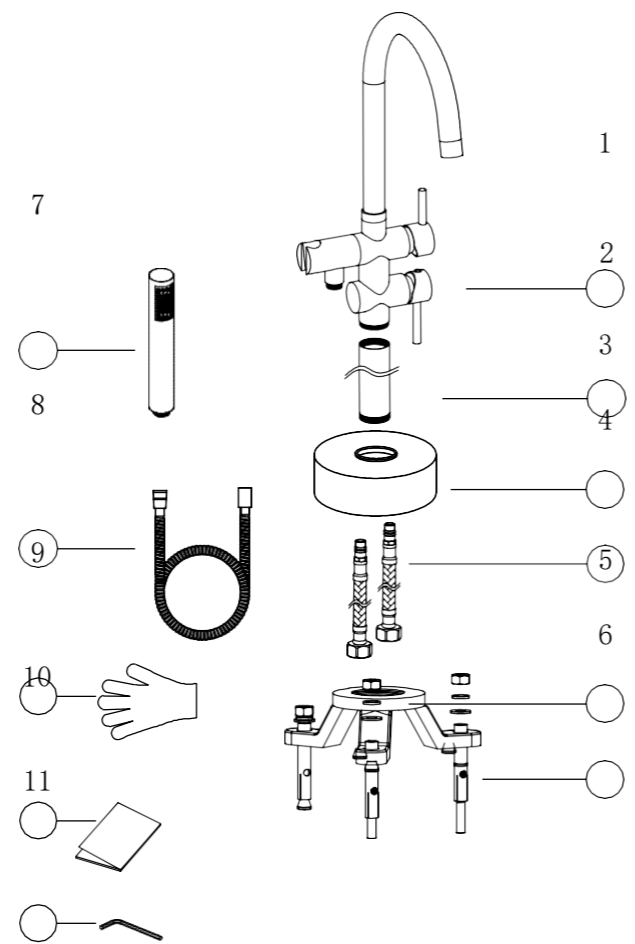


Fritstående Armatur

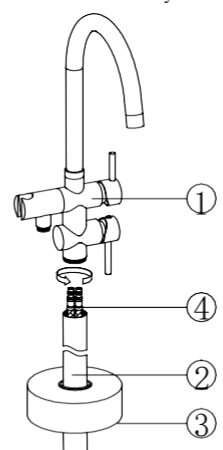
1. Check ved modtagelse at alle dele er leveret med. Se liste nedenfor.



No.	Name	Quantity
1	body assembly	1
2	straight tube	1
3	escutcheon	1
4	flexible hose	2
5	triangle fixing part	1
6	expansion screw	3
7	hand shower	1
8	shower hose	1
9	gloves	1
10	instructions	1
11	hexagon screw	1

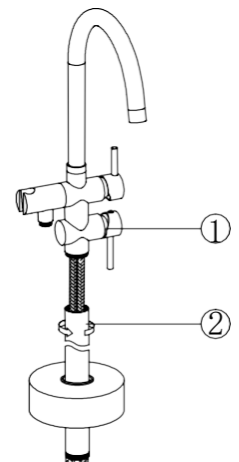


Firstly, bunch the straight tube, escutcheon and triangle fixing part into the flexible hose: Then, connect the flexible hose to the body.



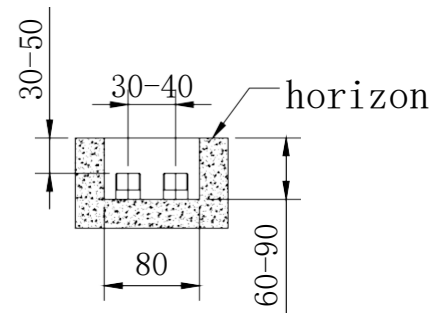
4. Connect the flexible hose to the inlet pipe.

1. Connect the square stem with the main valve.

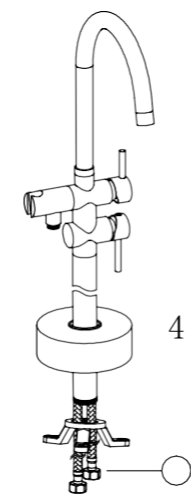


5. Connect the triangle fixing part to the body.

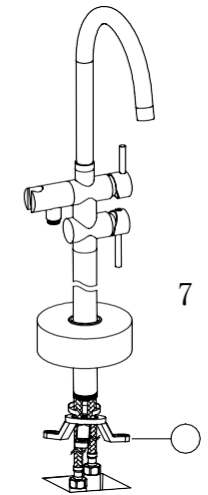
2. Install the inlet pipe per the following drawings.



6. Drilling the hole per the drawing dimension.



7. Install the faucet body by expansion screw.



8. Install the hand shower and shower hose.

